



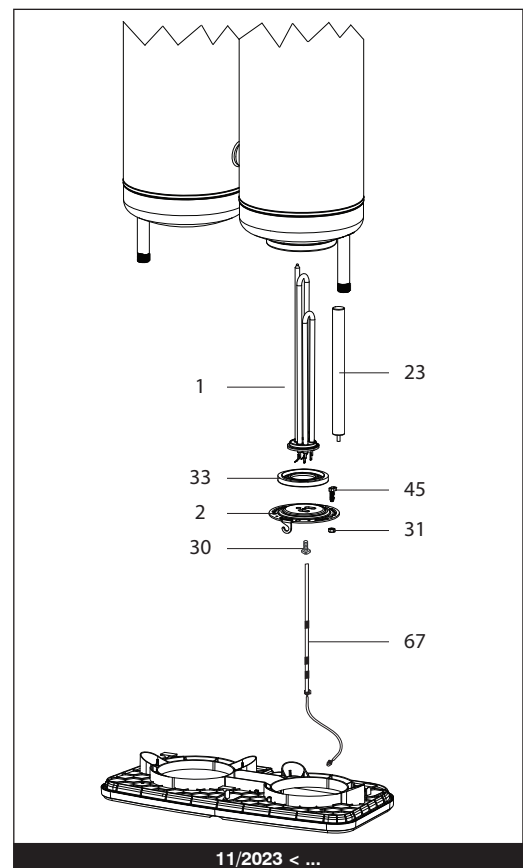
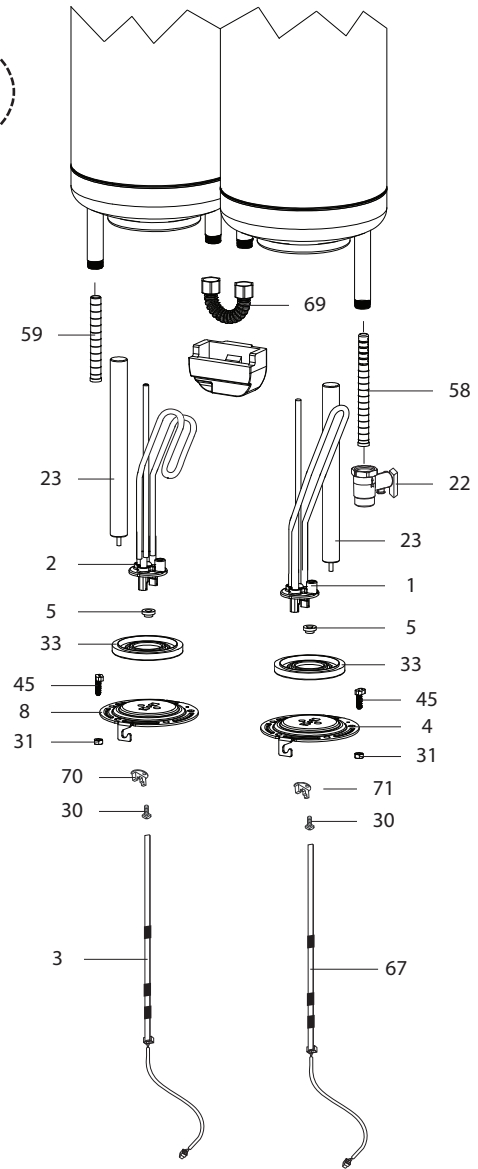
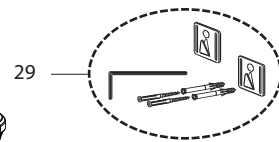
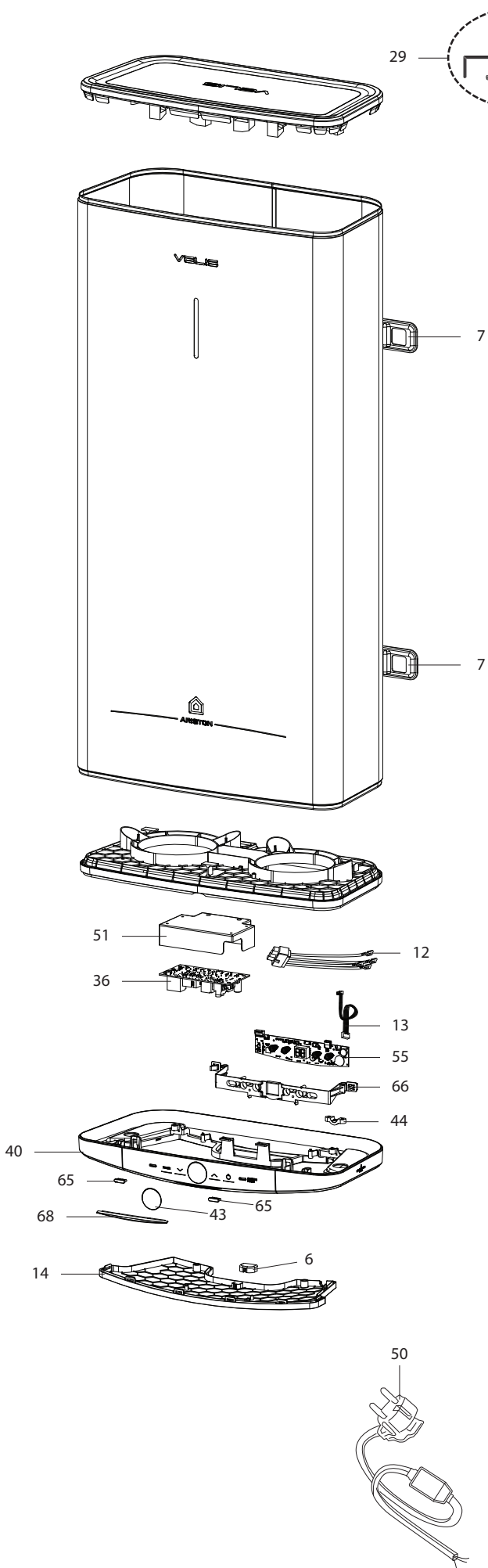
SPARE PARTS EXPLODED VIEW
STORAGE ELECTRIC WATER HEATERS
Model
VELIS TECH INOX PW ABSE

R8218951-04 - 14/03/2024

VELIS TECH INOX PW ABSE

Storage Electric Water Heaters

1	3700681	VELIS TECH INOX PW ABSE 30	04-2021	-
2	3700682	VELIS TECH INOX PW ABSE 50	04-2021	-
3	3700683	VELIS TECH INOX PW ABSE 80	04-2021	-
4	3700684	VELIS TECH INOX PW ABSE 100	04-2021	-
Col	Reference	Model type	Begin	End



V. TECH INOX PW 30
 V. TECH INOX PW 50
 V. TECH INOX PW 80
 V. TECH INOX PW 100

31

☉⇒	Description	Manf. Pt. N	Type	V. TECH INOX PW 30 V. TECH INOX PW 50 V. TECH INOX PW 80 V. TECH INOX PW 100																		From	to
				1	2	3	4	5	6	7	8	9	10	11	12	13	14	15	16	17	18		
0001	HEATING ELEMENT 1000+1500W 220-240V	65122238			•	•	•													11/23			
	HEATING ELEMENT 1000W 230V	65180040			•	•	•														10/23		
	HEATING ELEMENT 1000W 230V	65180040			•																		
0002	HEATING ELEMENT 1500W 230V	65180069			•	•	•														10/23		
	HEATING ELEMENT 1500W 230V	65180069			•																		
0003	WIRED NTC PROBE (OUTLET TANK)	65153300			•	•	•														10/23		
	WIRED NTC PROBE (OUTLET TANK)	65153300			•																		
0004	FLANGE (5 HOLES)	65180159			•	•	•														10/23		
	FLANGE (5 HOLES)	65180159			•																		
	FLANGE (5 HOLES)	65180459			•	•	•													11/23			
0005	WASHER	65180158			•	•	•														10/23		
	WASHER	65180158			•																		
0006	WATER DRAIN STOPPER	65180442			•	•	•																
0007	SUPPORT BRACKET	65152905			•	•	•														10/23		
	SUPPORT BRACKET	65152905			•																		
	SUPPORT BRACKET	65180461			•	•	•													11/23			
0008	FLANGE (5 HOLES)	65180160			•	•	•														10/23		
	FLANGE (5 HOLES)	65180160			•																		
0012	WIRING (ELEMENT / MAIN BOARD)	65122222			•	•	•													11/23			
	WIRING (ELEMENT / MAIN BOARD)	65180072-01			•	•	•														10/23		
	WIRING (ELEMENT / MAIN BOARD)	65180072-01			•																		
0013	WIRING (CONTROL BOARD)	65115286			•	•	•	•															
0014	PLASTIC COVER	65180444			•	•	•	•															
0022	SAFETY VALVE WITH LEVER (1/2" 6 BAR)	65151712			•	•	•	•															
0023	ALUMINIUM ANODE D:18 L:250 M5	65180466			•	•	•	•												11/23			
	ANODE D:21,3 L:180 M5	65180015			•	•	•	•													10/23		
	ANODE D:21,3 L:180 M5	65180015			•																		
0029	INSTALLATION KIT	65154451			•	•	•	•															
0030	SCREW M6X12	993000			•	•	•	•															
0031	NUT M6	994140			•	•	•	•															
0033	FLANGE GASKET	65111788			•	•	•	•													10/23		
	FLANGE GASKET	65111788			•																		
	FLANGE GASKET	65180458			•	•	•	•												11/23			
0036	P.C.B. (MAIN)	65116249			•	•	•	•															
0040	BOTTOM BIG PLASTIC COVER	65180450			•	•	•	•															
0043	DISPLAY COVER	65180447			•	•	•	•															
0044	CABLE CLAMP	573266			•	•	•	•															
0045	SCREW M6X20	65151225			•	•	•	•															
0050	POWER CABLE WITH ELCB (16A 1,0m)	65150965			•	•	•	•															
0051	POWER BOARD BOX	65155810			•	•	•	•															
	POWER BOARD BOX	65152908			•																		
0055	CONTROL BOARD	65122248			•															11/23			
	CONTROL BOARD	65122249			•															11/23			
	CONTROL BOARD	65122250			•															11/23			
	CONTROL BOARD	65120778			•																		
	CONTROL BOARD	65120779			•																10/23		
	CONTROL BOARD	65120780			•																10/23		
	CONTROL BOARD	65120781			•																10/23		
0058	BAFFLE (1/2" H=159)	65152176			•	•	•	•															
0059	BAFFLE (1/2" H=100)	65152177			•	•	•	•													10/23		
	BAFFLE (1/2" H=100)	65152177			•																		
0065	SIGNAL CAP	65180448			•	•	•	•															
0066	HOLDER FOR CONTROL BOARD	65180446			•	•	•	•															
0067	WIRED NTC PROBE (INLET TANK)	65153301			•	•	•	•													10/23		
	WIRED NTC PROBE (INLET TANK)	65153301			•																		
	WIRED NTC PROBE (INLET TANK)	65155811			•	•	•	•												11/23			
0068	LED INDICATOR	65180449			•	•	•	•															
0069	BY-PASS CONNECTION	65154293			•	•	•	•													10/23		
	BY-PASS CONNECTION	65154293			•																		
0070	TERMINAL SHIELD (RED)	65180070			•	•	•	•													10/23		
	TERMINAL SHIELD (RED)	65180070			•																		
0071	TERMINAL SHIELD (BLUE)	65180068			•	•	•	•													10/23		
	TERMINAL SHIELD (BLUE)	65180068			•																		

VELIS TECH INOX PW ABSE

Storage Electric Water Heaters

LIST OF THE ABBREVIATIONS

HW	: Hot water.
CW	: Cold water.
C	: Ceramic resistance (normal heating).
Ca	: Ceramic resistance (accelerated heating)
TP	: Immersion heater.
1F	: With fittings.
2F	: Without fittings.
3F	: With fittings and another outlet connection.
AMI	: With mixing valve.
SMI	: Without mixing valve.
PUISS	: Power of th appliance.
PN	: Appliance with normal pression.
LP	: Appliance with low pression.
PV	: Appliance with variable power.
PF	: Appliance with fixed power.

IDENTIFICATION PLATE

SERIAL NUMBER

6 Characters :
 Year of manufacture 03 09 08 Manufacturing day
 Month of manufacture

9 Characters :
 Year of manufacture 5 9 12 0606 Sequential number
 Month of manufacture

14 Characters :
 SI-V-0B0 45 07 0001
 Sequential number
 Year of manufacture : 6 → 2004
 Month of manufacture : → 25 → January 43 → July 7 → 2005
 13 → February 29 → August 8 → 2006
 32 → March 40 → September etc ...
 35 → April 38 → October
 39 → May 51 → November
 45 → June 12 → December

14 Characters :
 111518 XX 000010
 Month of manufacture Sequential number
 Day of manufacture Year of manufacture

15 Characters :
 02 11 00001 007843
 Year of manufacture Product reference
 Month of manufacture Sequential number

21 Characters :
 3200050 XX 08115 0000001
 Product reference Sequential number
 Year (08) / Manufacturing day (115)

22 Characters :
 3200050 XX 070115 0000001
 Product reference Sequential number
 Year (07) / Month (01) / Manufacturing day (15)